



FORCLIMA E 300

"E 300" CHARACTERISTICS & PRODUCTS' DETAILS

MODELS

- E 300** Through wall mounting heat recovery ventilator unit provided with automatic shutter grille.
- E 300R4** Horizontal remote mounting heat recovery ventilator unit with 3 internal ways.
- E300RW4** Vertical semi-remote wall mounting heat recovery ventilator unit for internal ducting connection with 3 ways.
- E300R6** Remote mounting heat recovery ventilator unit.
- E300RW6** Semi-remote wall mounting heat recovery ventilator unit.
- E300HX4** Horizontal remote mounting heat recovery ventilator unit without fans completely ducting.

DESCRIPTION

The E300 series is a heat recovery ventilator unit that provides balanced ventilation endowed with a heat exchanger designed for providing up to 70% heat recovery. It is ideal for light commercial applications including function rooms, swimming pools, offices, classrooms and all environments with smoke, odours and steam. It is also necessary in all air conditioning places since it operates either in summer either in winter period.

OPERATION

The unit is provided with 2 fans (except for HX4 model), one for the extraction and one for the simultaneous supply of the air in the environment. Heat is transferred via a unique plastic heat exchanger from outgoing air to the fresh air supply with no cross contamination, maintaining internal temperatures and providing a fresh environment with energy saving.

The high efficient results depend on the special, registered, fans that combine an high efficiency and an extremely silent operation with the efficiency of the heat exchanger. The unit can be fully controllable for speed using a small dedicated speed controller, sensors, timer e.g. humidistat.

Maximum Operating Temperature is 40°C.

The E300R4 & R6 unit can be endowed with a non ducting grille either in the external either in the internal side, on request.

HEAT EXCHANGER

The polymer UPVC heat exchanger transfers heat from the outgoing stale air to the fresh air supply raising the temperature of the fresh air and most importantly reducing the Relative Humidity of the supply air to the room.

So that there is a continuous exchange of air in the environment without dispersion of energy, achieving therefore an economic saving.

STRUCTURE

Cream coloured ABS plastic case & grille.

All the units are composed with recycling materials

MOTOR

The E300 unit is fitted with 2 internal high efficiency rotor motors, safe guarded by thermal overload protection.

Power Consumption: 108W max. Electrical: 220/240V 50Hz. Noise Level: 37/44dB(A).

WEIGHT

Kg. 11

REGULATOR (on request)

White plastic box with ON/OFF switch and speed controller. The eventual combination with a speed regulator such as "triac" type, can raise up the noise due to the cut of the phase.

FANS

Twin centrifugal impellers are used designed to provide high pressure operation whilst minimising noise. The HX4 model is without fans.

FILTERS

The E300 unit is endowed of reticulated foam filters. The filters are fitted behind the inner grille to remove air borne pollutants from both exhaust and supply airstreams. For the ducting models are available in-line filters.

INSTALLATION

The E300 wall mounting units require a 271mmX371mm hole. The units should be fitted so that they slope towards the outside (nominal 2° degree angle) to assist in-built condensate drainage. The wall mounting models are endowed with an external bezel and an internal grille in order to well cover the hole.

MAINTENANCE

The unit needs to be checked every six months or as conditions necessitate as follows:

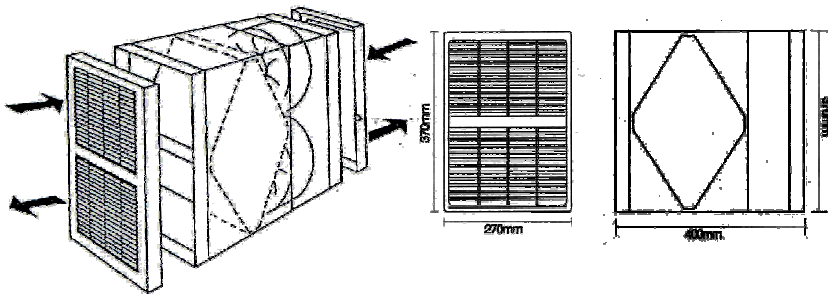
- Clean or replace the filters;
- Wash the heat exchanger from deposits of dust or fat in warm soapy water

Access to the filter and to the heat exchanger is via 2 screws on the internal grille.



"E 300" CHARACTERISTICS

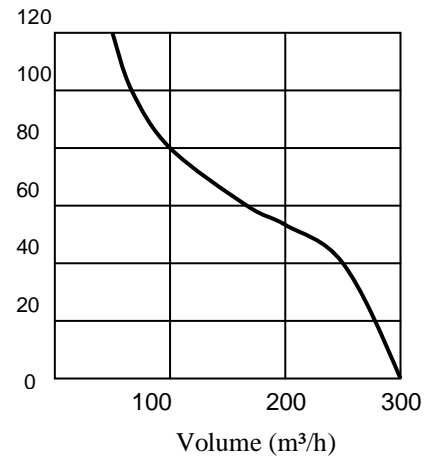
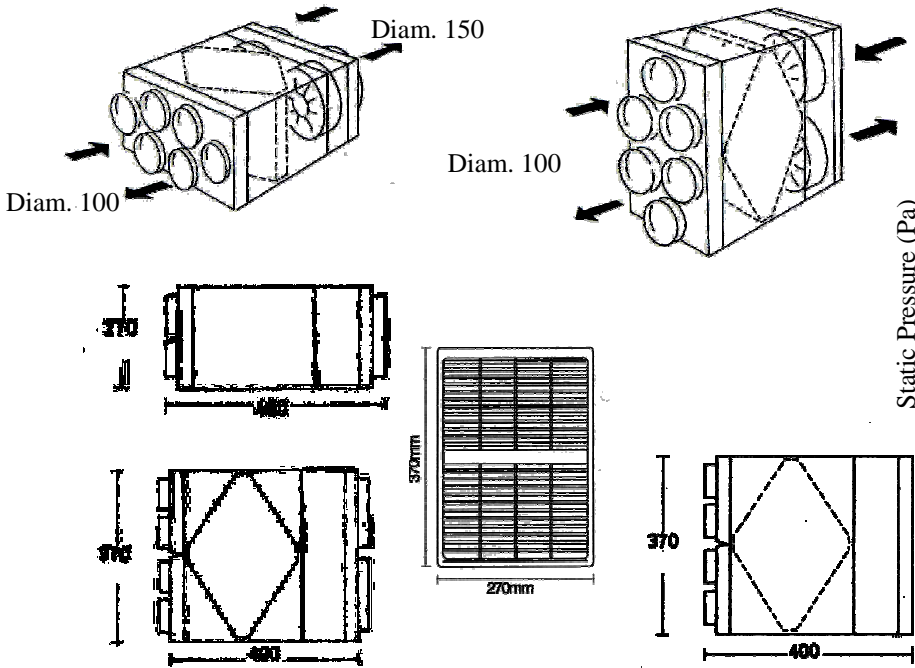
AIR FLOWS



Volume(m ³ /h)	Outgoing Air	Incoming Air
BOOST Speed	300	270
NORMAL Speed	210	190
LOW Speed	75	70

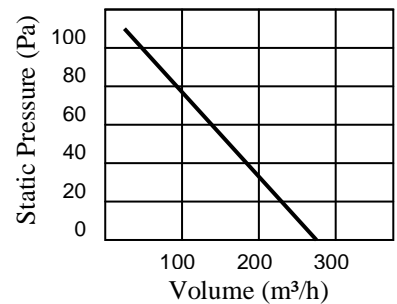
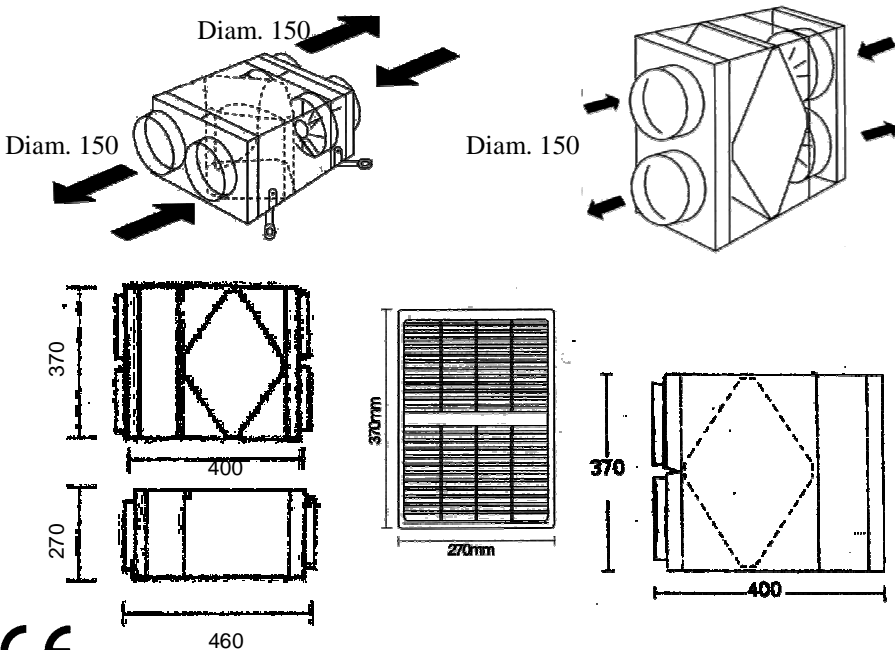
"E 300R4" CHARACTERISTICS

"E 300RW4" CHARACTERISTICS



"E 300R6" & "E300HX4" CHARACTERISTICS

"E 300RW6" CHARACTERISTICS



Package Dimensions: 300x320x420 mm.